

ÇELİK DIŞLİ, ŞİŞE NİPEL



3000 LB & 6000 LB
ANSI B 16.11

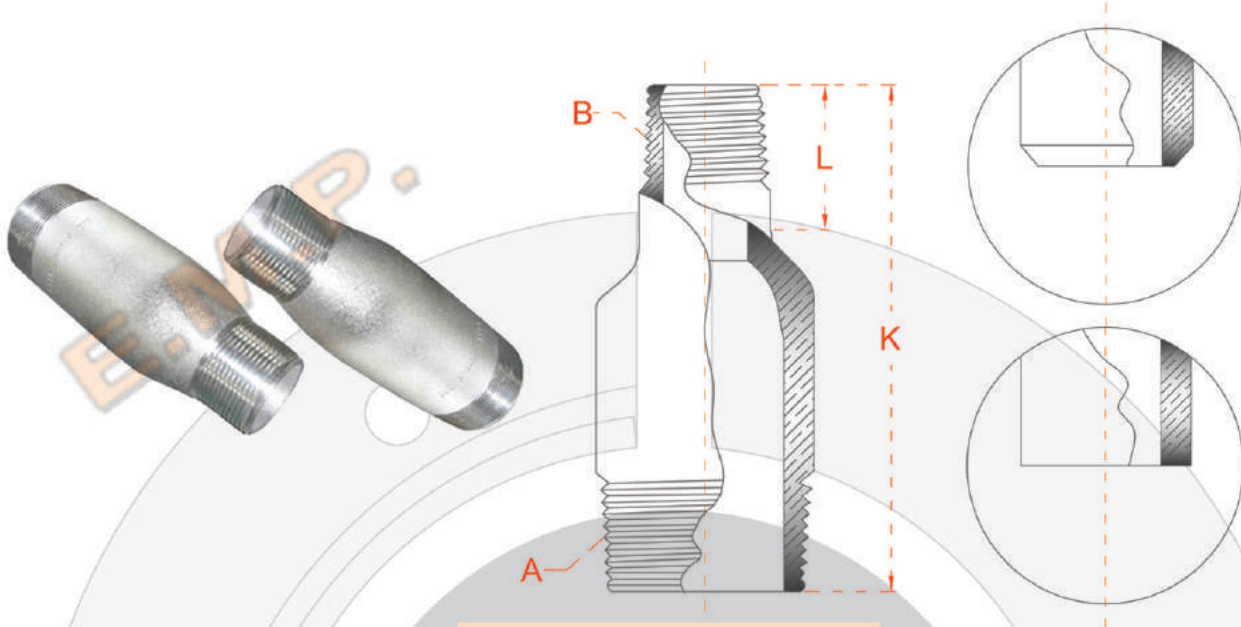


E.M.P.
www.emp.com.tr
www.empflans.com

THREADED SWEDGE NIPPLE



3000 LB & 6000 LB
ANSI B 16.11



A x B	3000 LB & 6000 LB				ET KALINLIKLARI THICKNESS		
	K		L		SCH 40	SCH 80	X
	mm	inc	mm	inc			
3/8" x 1/4"	76	3.00	20	0.79	SCH 40	SCH 80	X
1/2" x 3/8"	89	3.50	20	0.79	SCH 40	SCH 80	X
1/2" x 1/4"	89	3.50	20	0.79	SCH 40	SCH 80	X
3/4" x 1/2"	95	3.74	21	0.83	SCH 40	SCH 80	SCH 160
3/4" x 3/8"	95	3.74	21	0.83	SCH 40	SCH 80	X
1" x 3/4"	102	4.00	22	0.87	SCH 40	SCH 80	SCH 160
1" x 1/2"	102	4.00	22	0.87	SCH 40	SCH 80	SCH 160
1" x 1/4"	102	4.00	22	0.87	SCH 40	SCH 80	SCH 160
1 1/4" x 1"	105	4.13	25	0.98	SCH 40	SCH 80	SCH 160
1 1/2" x 1"	114	4.49	25	0.98	SCH 40	SCH 80	SCH 160
1 1/2" x 3/4"	114	4.49	25	0.98	SCH 40	SCH 80	SCH 160
1 1/2" x 1/2"	114	4.49	25	0.98	SCH 40	SCH 80	SCH 160
2" x 1 1/2"	165	6.50	30	1.18	SCH 40	SCH 80	SCH 160
2" x 1"	165	6.50	30	1.18	SCH 40	SCH 80	SCH 160
2 1/2" x 2"	178	7.00	35	1.38	SCH 40	SCH 80	SCH 160
3" x 2"	203	8.00	40	1.57	SCH 40	SCH 80	SCH 160
4" x 3"	229	9.02	45	1.77	SCH 40	SCH 80	SCH 160
4" x 2"	229	9.02	45	1.77	SCH 40	SCH 80	SCH 160

Ölçüler mm olarak verilmiştir.
Çelik ve paslanmaz üretilebilir.

Dimensions are in mm.
Steel and stainless steel can be produce